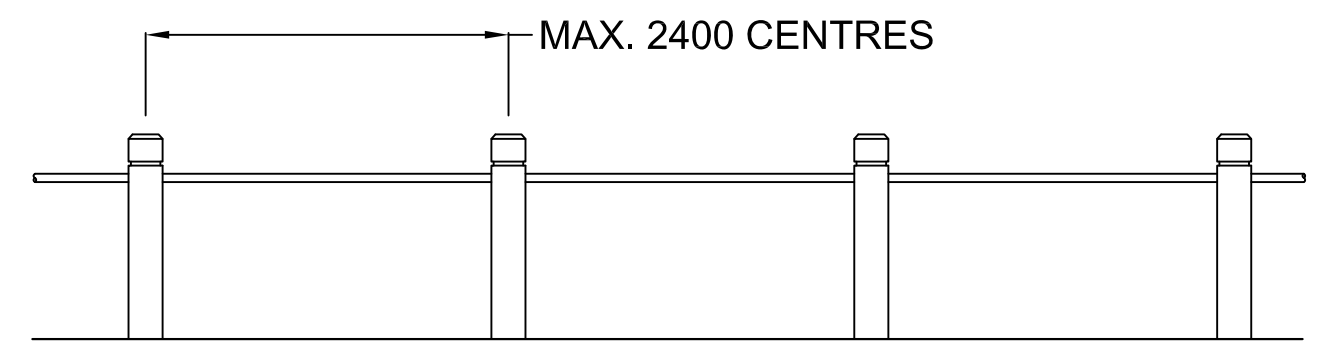



ELEVATION



INSTALLATION ELEVATION

NOTE:
THIS STYLE OF FENCE SHALL NOT BE USED WITHIN 9 METERS OF TRAFFIC LANES.

	GREATER DANDENONG	LAST UPDATED - MARCH 2017
	150 x 150 PARK PERIMETER POST AND PIPE FENCE	INFRASTRUCTURE PLANNING
		SD 903-A