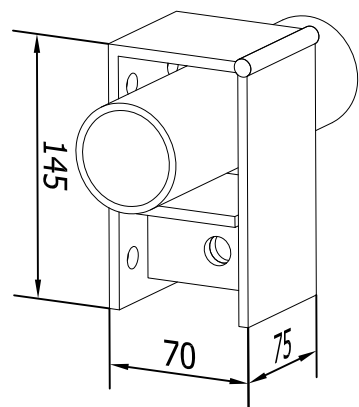
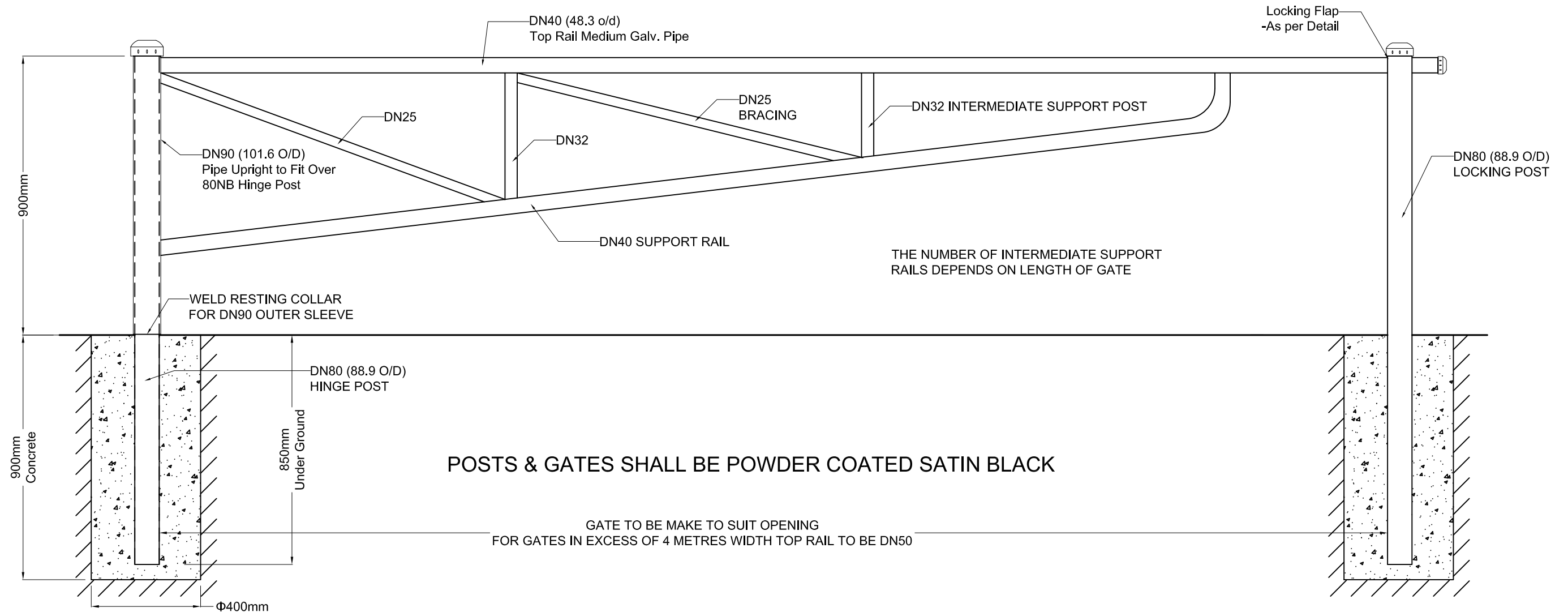
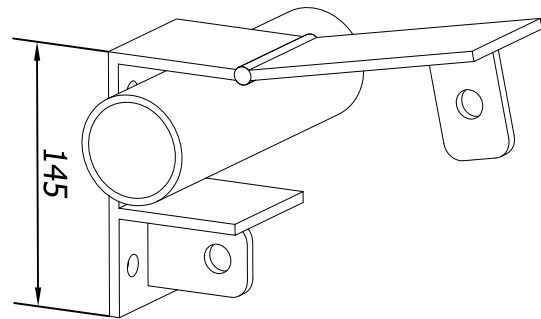


VEHICLE ENTRY GATE POWDER COATED FINISH



**LOCKING FLAP
CLOSING**



**LOCKING FLAP
OPENING**



GREATER DANDENONG

VEHICLE ENTRY GATE

LAST UPDATED - MARCH 2017

INFRASTRUCTURE PLANNING

SD 908-B